

How Does it Work?

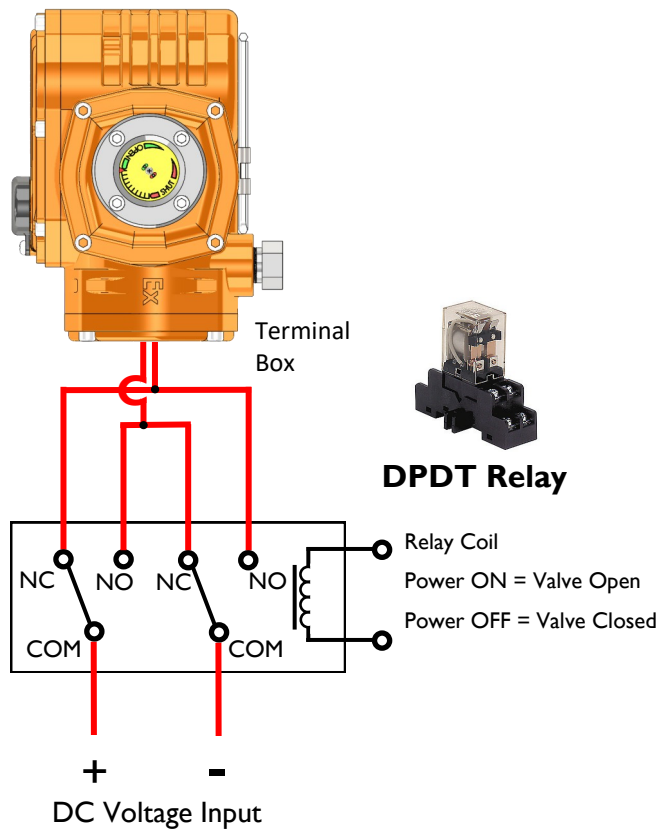
5818 Electric Actuator On-Off version - DC Voltage

This is a condensed version of how a typical Valworx on-off (open-close) electric actuated valve functions when using the 5818 series actuator (DC Voltage). It does not show fuses or other safety devices. The actuator uses a reversing motor circuit and must have power to open and power to close. Stays in the last known position with loss of power. Internal limit switches will stop the motor in the open or closed position as required.



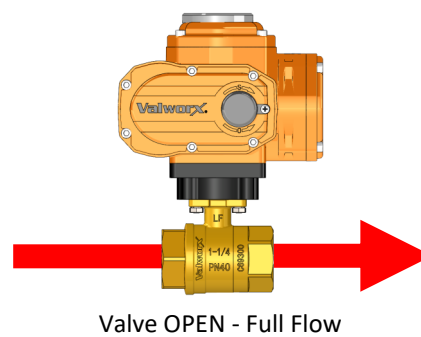
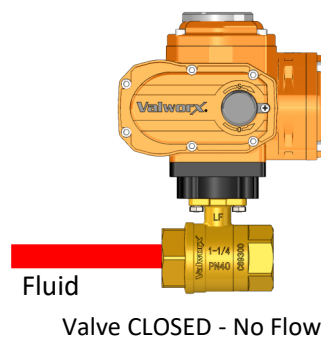
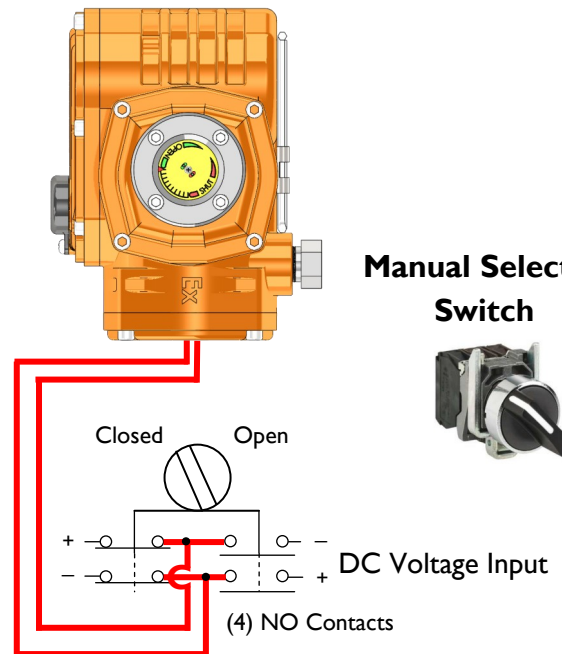
Controlling Actuator with a Mechanical Relay

Customer to supply a mechanical relay to open or close the actuator (valve). Maintain power to the actuator either in the open or closed position to activate internal anti-condensation heater.



Controlling Actuator with a Manual Selector Switch

Customer to supply a 3-way 2-position switch to open or close the actuator (valve). Maintain power to the actuator either in the open or closed position to activate internal anti-condensation heater.



This technical bulletin is an overview and simplified version. Consult data sheets and installation instructions for detailed specifications.